

NOTES:

1. SUBSTRATE MATERIAL:
BOROFLOAT®

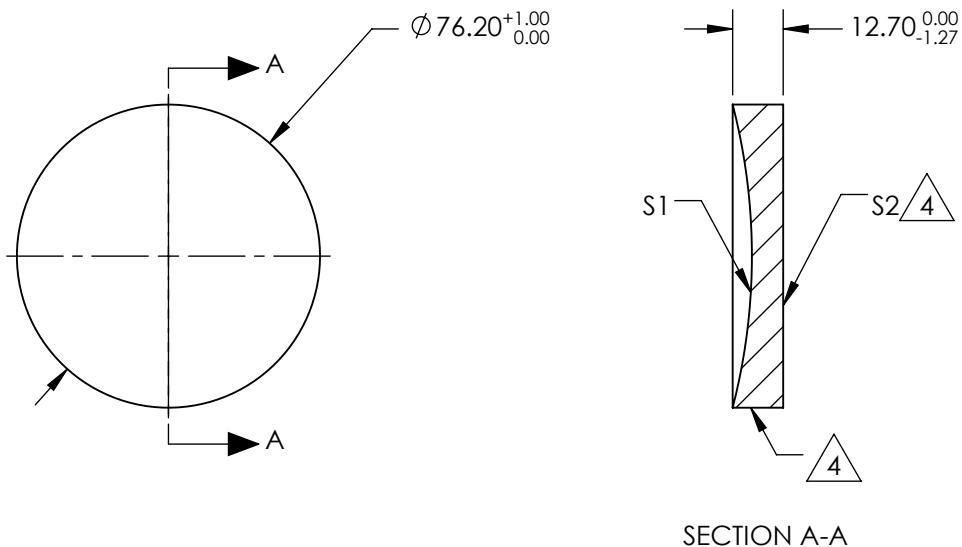
2. COATING (APPLY ACROSS CLEAR APERTURE)

S1: UV Enhanced Aluminum
R(avg) >89% @ 250 - 450nm
R(avg) >85% @ 250 - 700nm
DENSITY LIMIT: 0.5 J/cm² @ 355nm, 10ns
S2: NONE

3. POWER, IRREGULARITY, SURFACE QUALITY, AND COATING SPECIFICATIONS APPLY ACROSS CLEAR APERTURE

△ FINE GROUND SURFACE

5. ROHS COMPLIANT

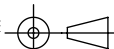


**FOR INFORMATION ONLY:
DO NOT MANUFACTURE
PARTS TO THIS DRAWING**

SPECIFICATIONS SUBJECT TO CHANGE WITHOUT NOTICE
DIMENSIONS ARE FOR REFERENCE ONLY

REV. A	S1	S2
SHAPE	CONCAVE	PLANO
EFFECTIVE FOCAL LENGTH	76.2mm	N/A
FOCAL LENGTH TOLERANCE	±2%	N/A
APERTURE	f/1	N/A
SURFACE QUALITY	60-40	60-40
SURFACE FLATNESS	λ/4	λ/4
BEVEL	PROTECTIVE AS NEEDED	PROTECTIVE AS NEEDED

THIRD ANGLE
PROJECTION



ALL DIMS IN

mm

EO® **Edmund Optics**®

TITLE

3" Dia, 3" FL UV Enhanced Alum., Spherical
Mirror

DWG NO

43553

SHEET
1 OF 1