

NOTES:

1. SUBSTRATE MATERIAL:
BOROFLOAT®

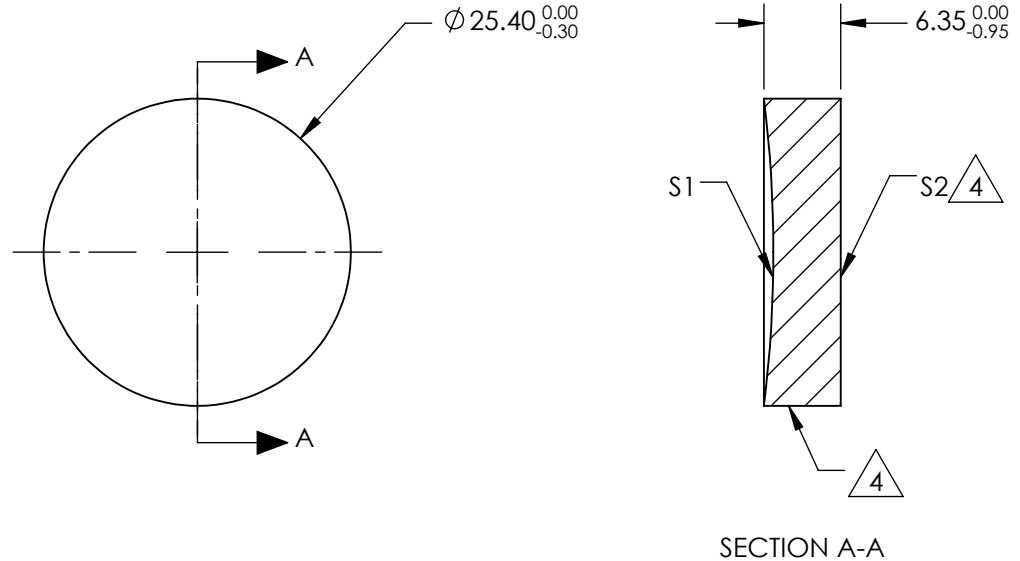
2. COATING (APPLY ACROSS CLEAR APERTURE)

S1: NONE
S2: NONE

3. POWER, IRREGULARITY, SURFACE QUALITY, AND COATING
SPECIFICATIONS APPLY ACROSS CLEAR APERTURE

△ FINE GROUND SURFACE

5. ROHS COMPLIANT

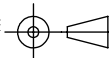


**FOR INFORMATION ONLY:
DO NOT MANUFACTURE
PARTS TO THIS DRAWING**

SPECIFICATIONS SUBJECT TO CHANGE WITHOUT NOTICE
DIMENSIONS ARE FOR REFERENCE ONLY

	S1	S2
SHAPE	CONCAVE	PLANO
EFFECTIVE FOCAL LENGTH	50.8mm	N/A
FOCAL LENGTH TOLERANCE	±2%	N/A
APERTURE	f/2	N/A
SURFACE QUALITY	60-40	60-40
SURFACE FLATNESS	λ/4	λ/4
BEVEL	PROTECTIVE AS NEEDED	PROTECTIVE AS NEEDED

THIRD ANGLE
PROJECTION



ALL DIMS IN

mm

EO® Edmund Optics®

TITLE

Ø1in, 2in FL PROTECTED ALUMINUM,
SPHERICAL MIRRORS

DWG NO

43339

SHEET
1 OF 1