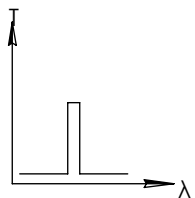
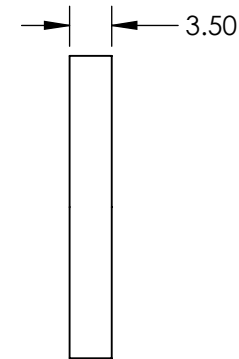
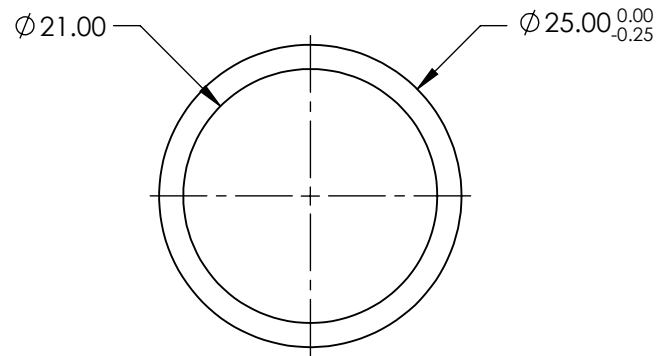
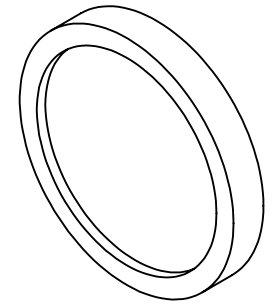


**FOR INFORMATION ONLY:  
DO NOT MANUFACTURE  
PARTS TO THIS DRAWING**



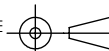
BANDPASS FILTER

	VALUE
OPTICAL DENSITY	$\geq 4.0$
CENTER WAVELENGTH (CWL)	270 +3.0/-0.0 nm
FULL WIDTH HALF MAX (FWHM)	10 $\pm$ 2 nm
MINIMUM TRANSMISSION	>12 %
BLOCKING	200 - 10000nm
SURFACE QUALITY	80-50
CONSTRUCTION	MOUNTED IN BLACK ANODIZED RING
COATING TYPE	TRADITIONAL COATED

SPECIFICATIONS SUBJECT TO CHANGE WITHOUT NOTICE  
DIMENSIONS ARE FOR REFERENCE ONLY



THIRD ANGLE  
PROJECTION



TITLE

$\varnothing 25\text{mm}$ , 270nm x 10nm, MOUNTED  
BANDPASS FILTER

ALL DIMS IN

mm

DWG NO

67812

SHEET  
1 OF 1