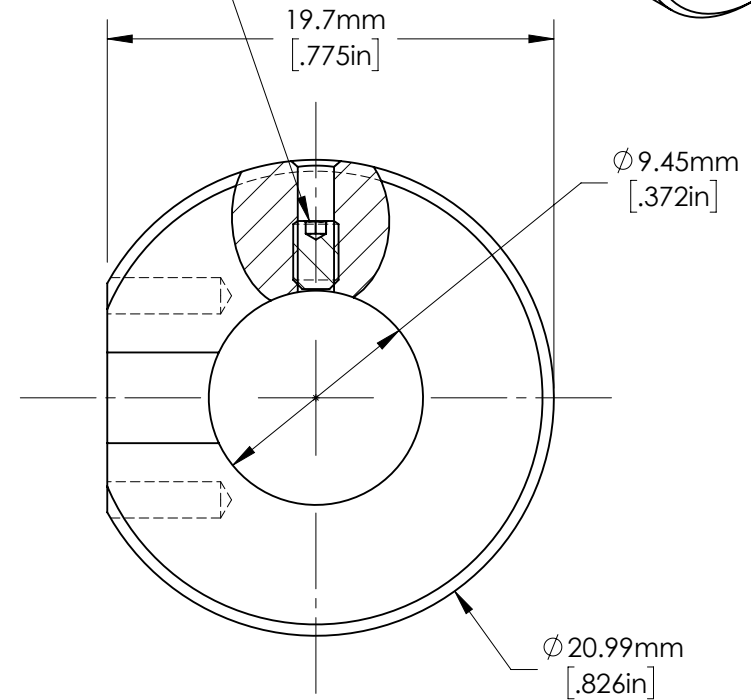
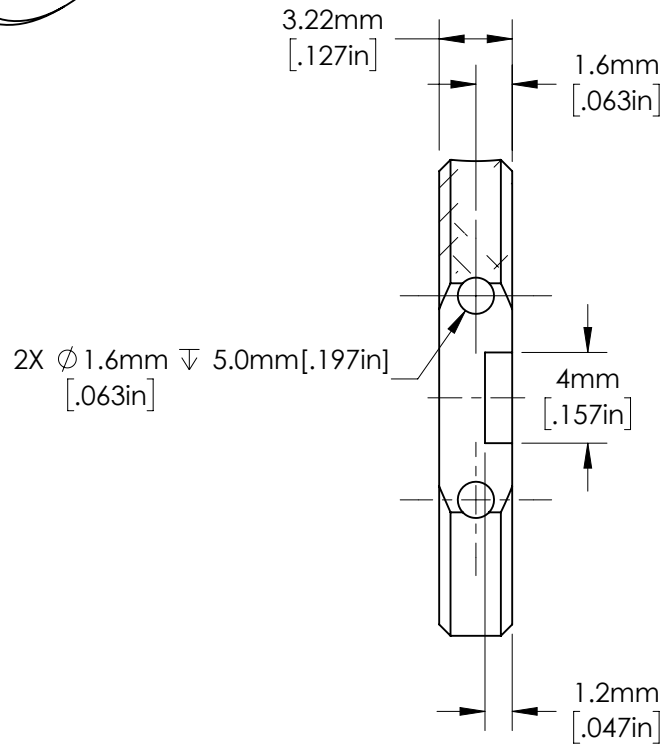


M2 SOCKETHEAD SET SCREW  2



FOR INFORMATION ONLY:
DO NOT MANUFACTURE PARTS TO THIS DRAWING

SPECIFICATIONS SUBJECT TO CHANGE WITHOUT NOTICE
DIMENSIONS ARE FOR REFERENCE ONLY
DIMENSIONS ARE IN mm [INCHES]

NOTES:

1. LIQUID LENS SOLD SEPARATELY.

 2. ALLEN KEY IS INCLUDED.

 **Edmund Optics®**

TITLE	SM LIQUID LENS HOLDER FOR 35mm CX LENS	
DWG NO	33675	
		SHEET 1 OF 1