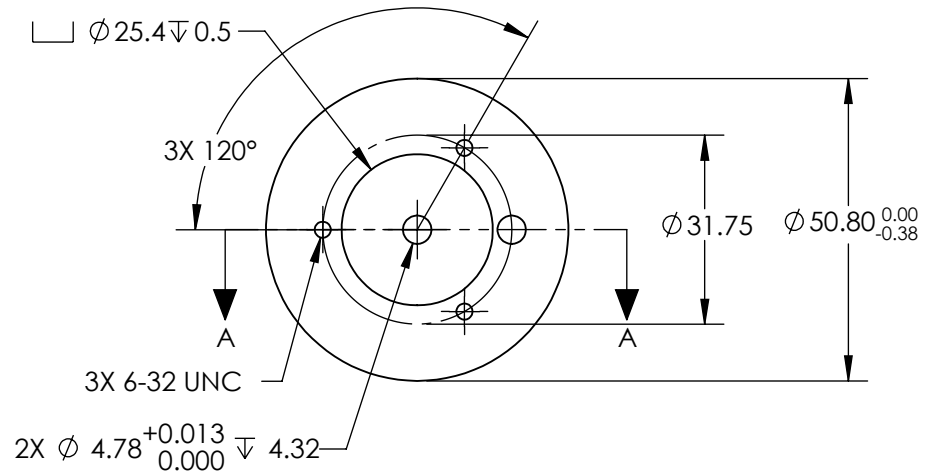
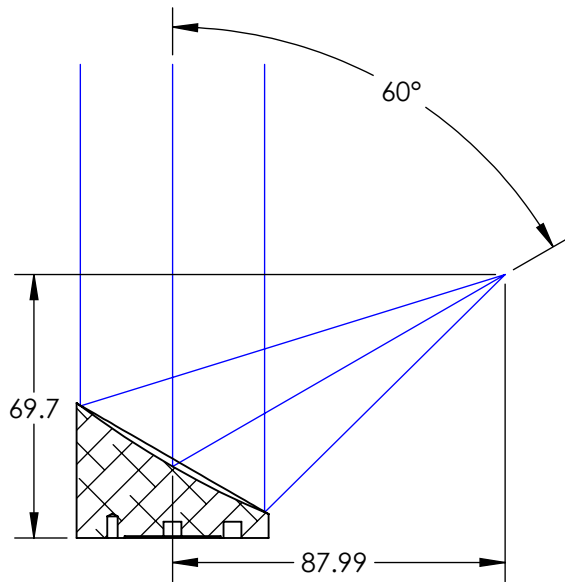
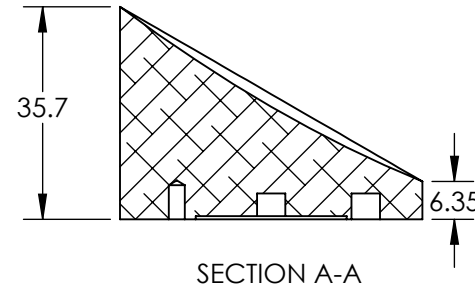
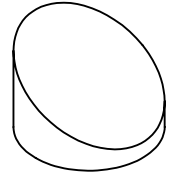


NOTES:

1. SUBSTRATE MATERIAL:  
ALUMINIUM
2. FINISH (EXCEPT SURFACE S1):  
BLACK ANODIZED
3. COATING (APPLY ACROSS CLEAR APERTURE)  
S1: BARE GOLD  
R(AVG) >94% @ 700 - 800nm  
R(AVG) >97% @ 800 - 2000nm  
R(AVG) >98% @ 2000 - 12000nm  
  
SURFACE ROUGHNESS: <175 Å RMS
4. FOCAL LENGTH TOLERANCE: ±1%
5. ROHS COMPLIANT

**FOR INFORMATION ONLY:  
DO NOT MANUFACTURE  
PARTS TO THIS DRAWING**



SPECIFICATIONS SUBJECT TO CHANGE WITHOUT NOTICE  
DIMENSIONS ARE FOR REFERENCE ONLY

REV. A	S1
SHAPE	PARABOLIC
REFLECTIVE WAVEFRONT DISTORTION AT 632.8nm (RMS)	$\lambda/2$
SURFACE FIGURE AT 632.8nm (RMS)	$\lambda/4$
CLEAR APERTURE	90%
BEVEL	PROTECTIVE AS NEEDED

		<b>Edmund Optics®</b>	
		TITLE	Ø50.8 X 101.6mm EFL 60° OAP BARE GOLD MIRROR 175Å
ALL DIMS IN	mm	DWG NO	86305
			SHEET 1 OF 1