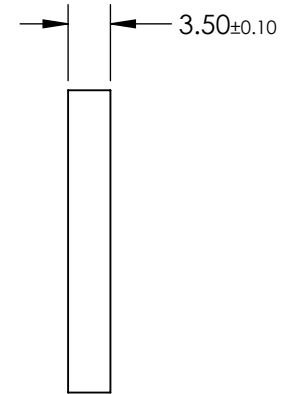
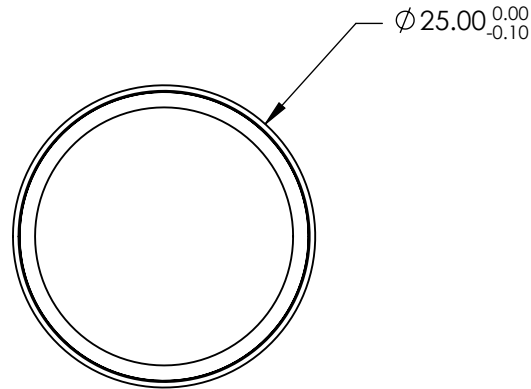
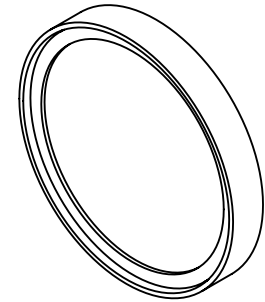


**FOR INFORMATION ONLY:
DO NOT MANUFACTURE
PARTS TO THIS DRAWING**



REV. A	VALUE
SHAPE	PLANO
TRANSMISSION WAVELENGTH	632.8 - 790
DURABILITY	MIL-C-48497A
CUT-ON WAVELENGTH	613
SURFACE FLATNESS	>95
SURFACE QUALITY	60-40
CLEAR APERTURE	$\phi 21.3$
BEVEL	PROTECTIVE AS NEEDED

SPECIFICATIONS SUBJECT TO CHANGE WITHOUT NOTICE
DIMENSIONS ARE FOR REFERENCE ONLY

EO® **Edmund Optics**®

THIRD ANGLE PROJECTION

TITLE

$\phi 25\text{mm}$, 613nm, DICHOIC LASER BEAM
COMBINER

ALL DIMS IN

mm

DWG NO

86394

SHEET
1 OF 1