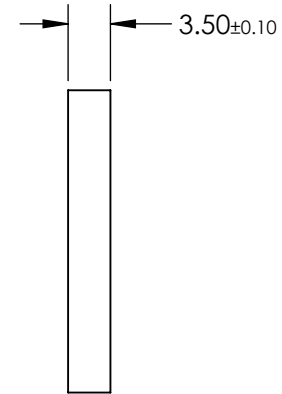
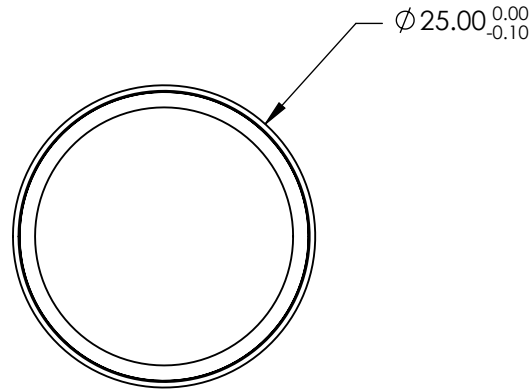
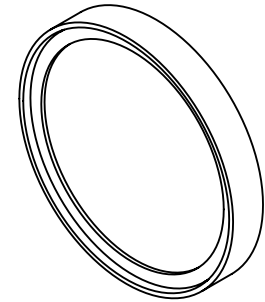


**FOR INFORMATION ONLY:  
DO NOT MANUFACTURE  
PARTS TO THIS DRAWING**



REV. A	VALUE
SHAPE	PLANO
TRANSMISSION WAVELENGTH	473 - 647.1
DURABILITY	MIL-C-48497A
CUT-ON WAVELENGTH	466
SURFACE FLATNESS	>95
SURFACE QUALITY	60-40
CLEAR APERTURE	$\phi 21.3$
BEVEL	PROTECTIVE AS NEEDED

SPECIFICATIONS SUBJECT TO CHANGE WITHOUT NOTICE  
DIMENSIONS ARE FOR REFERENCE ONLY

**EO**® **Edmund Optics**®

THIRD ANGLE  
PROJECTION

TITLE

$\phi 25\text{mm}$ , 466nm, DICHOIC LASER BEAM  
COMBINER

ALL DIMS IN

mm

DWG NO

86390

SHEET  
1 OF 1