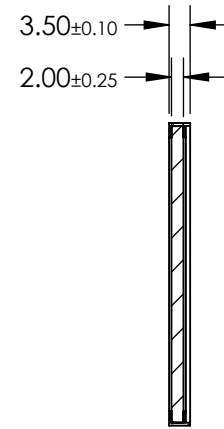
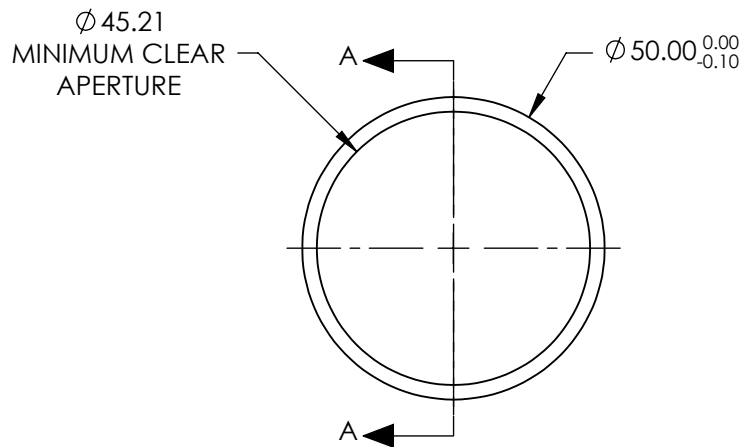


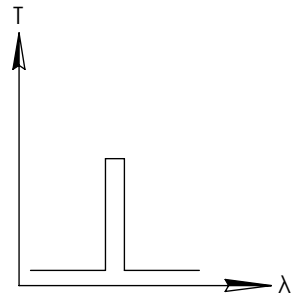
NOTES:

1. SUBSTRATE:  
FUSED SILICA MOUNTED IN BLACK ANODIZED ALUMINUM RING
2. TRANSMITTED WAVEFRONT ERROR:  $\lambda/4$
3. RoHS: COMPLIANT

**FOR INFORMATION ONLY:  
DO NOT MANUFACTURE  
PARTS TO THIS DRAWING**



SECTION A-A



BANDPASS FILTER

	VALUE
CENTER WAVELENGTH (CWL) (nm)	$655 \pm 3\text{nm}$
MINIMUM BANDWIDTH (nm)	15
FULL WIDTH HALF MAX (FWHM) (nm)	47
MINIMUM TRANSMISSION (%)	>93
OD6 BLOCKING RANGE (nm)	403 - 455
SURFACE QUALITY	60-40
COATING TYPE	HARD COATED
DURABILITY	MIL-C-48479A, SECT. 3.4.1
ENVIRONMENTAL	MIL-STD-801F, SECT. 507 .4

SPECIFICATIONS SUBJECT TO CHANGE WITHOUT NOTICE  
DIMENSIONS ARE FOR REFERENCE ONLY

**EO**® Edmund Optics®



TITLE	OD6, $\varnothing 50\text{mm}$ , 655nm x 15nm, BP FLUORESCENCE FILTER		
DWG NO	86369	SHEET	1 OF 1

ALL DIMS IN mm