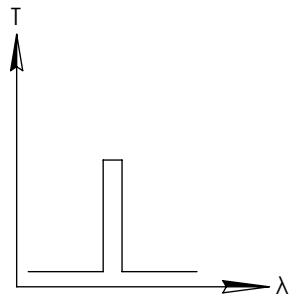
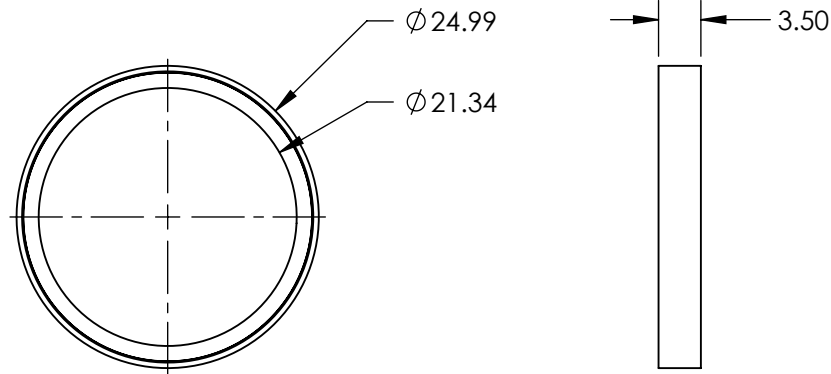
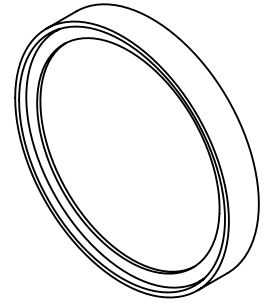


**FOR INFORMATION ONLY:  
DO NOT MANUFACTURE  
PARTS TO THIS DRAWING**



BANDPASS FILTER

REV A	VALUE
CENTER WAVELENGTH (CWL)	532 ± 2nm
FULL WIDTH HALF MAX (FWHM)	3.7± 2nm
MINIMUM TRANSMISSION	≥90 %
BLOCKING	489 - 524 & 540 - 585
SURFACE QUALITY	60-40
COATING TYPE	HARD COATED
DURABILITY	DURABILITY: MIL-C-48497A SECT. 3.4.1
ENVIRONMENTAL	ENVIRONMENTAL: MIL-STD-810F SECT. 507.4

SPECIFICATIONS SUBJECT TO CHANGE WITHOUT NOTICE  
DIMENSIONS ARE FOR REFERENCE ONLY

**EO**® Edmund Optics®

THIRD ANGLE PROJECTION

TITLE OD6, Ø25mm, 532 nm CWL, 2 nm BANDWIDTH, LASER LINE BANDPASS FILTER

ALL DIMS IN mm

DWG NO 68970

SHEET 1 OF 1