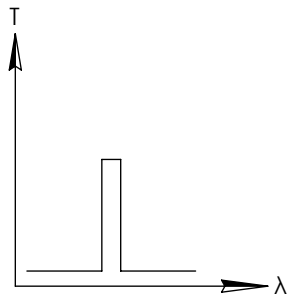
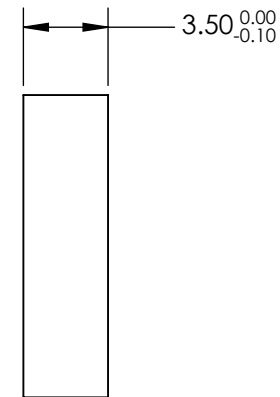
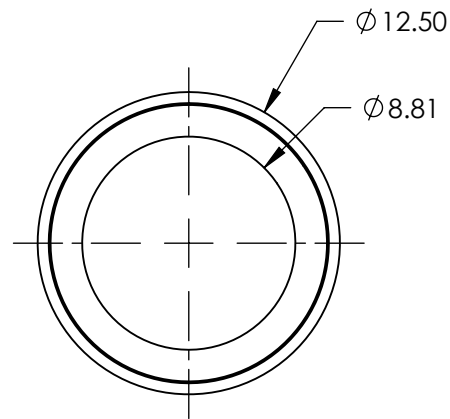
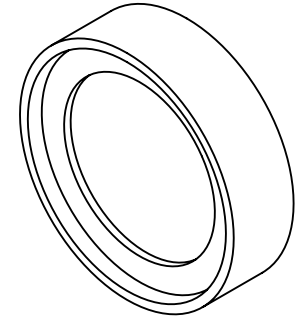


**FOR INFORMATION ONLY:
DO NOT MANUFACTURE
PARTS TO THIS DRAWING**



BANDPASS FILTER

REV A	VALUE
CENTER WAVELENGTH (CWL)	488 ± 2nm
FULL WIDTH HALF MAX (FWHM)	3.4± 2nm
MINIMUM TRANSMISSION	≥90 %
BLOCKING	449 - 480.7 & 495.3 - 536.8
SURFACE QUALITY	60-40
CONSTRUCTION	MOUNTED IN BLACK ANODIZED ALUMINUM RING
COATING TYPE	HARD COATED
DURABILITY	DURABILITY: MIL-C-48497A SECT. 3.4.1
ENVIRONMENTAL	ENVIRONMENTAL: MIL-STD-810F SECT. 507.4

SPECIFICATIONS SUBJECT TO CHANGE WITHOUT NOTICE
DIMENSIONS ARE FOR REFERENCE ONLY



ALL DIMS IN mm

TITLE OD6, Ø12.5mm, 488 nm CWL, 1.9 nm BANDWIDTH, LASER LINE BANDPASS FILTER

DWG NO 68936

SHEET 1 OF 1