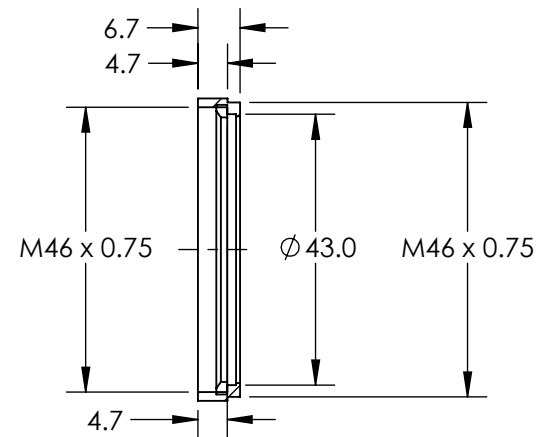
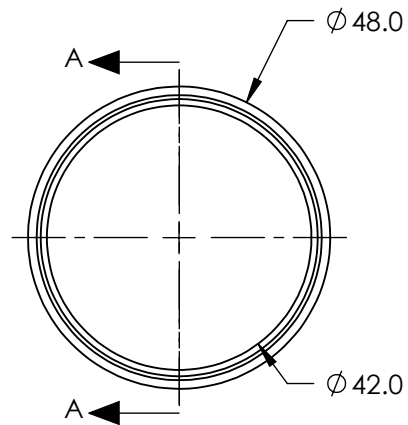


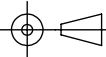
**FOR INFORMATION ONLY:
DO NOT MANUFACTURE
PARTS TO THIS DRAWING**



SECTION A-A

SPECIFICATIONS SUBJECT TO CHANGE WITHOUT NOTICE
DIMENSIONS ARE NOMINAL AND FOR REFERENCE ONLY

EO[®] **Edmund Optics**[®]

		THIRD ANGLE PROJECTION 	TITLE	EMPTY FILTER MOUNT - M46 X 0.75	
RoHS	VALUE COMPLIANT	ALL DIMS IN	mm	DWG NO	67688
				SHEET	1 OF 1