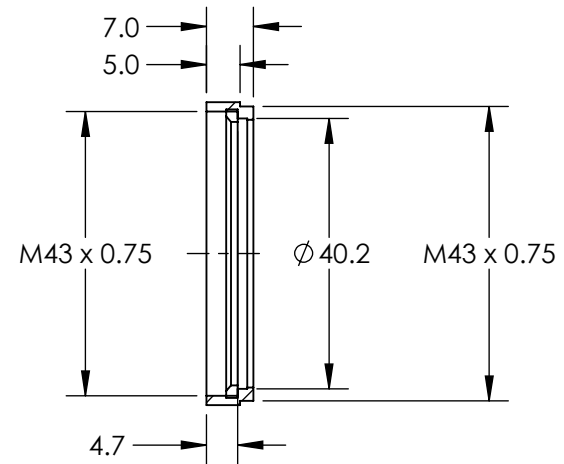
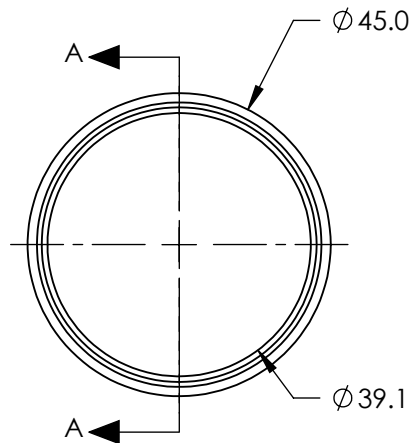


**FOR INFORMATION ONLY:  
DO NOT MANUFACTURE  
PARTS TO THIS DRAWING**



SECTION A-A

SPECIFICATIONS SUBJECT TO CHANGE WITHOUT NOTICE  
DIMENSIONS ARE NOMINAL AND FOR REFERENCE ONLY

**EO**<sup>®</sup> Edmund Optics<sup>®</sup>

		THIRD ANGLE PROJECTION		TITLE	EMPTY FILTER MOUNT - M43 X 0.75	
RoHS	VALUE COMPLIANT	ALL DIMS IN	mm	DWG NO	67687	SHEET 1 OF 1