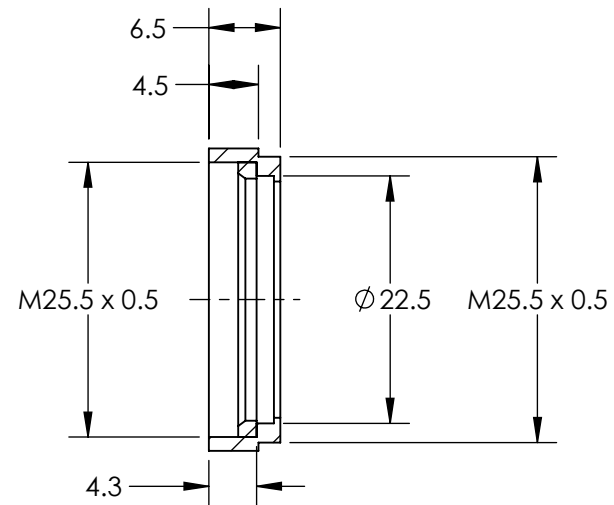
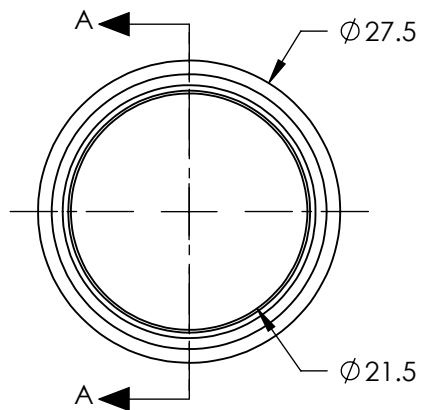
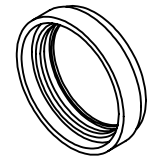


**FOR INFORMATION ONLY:
DO NOT MANUFACTURE
PARTS TO THIS DRAWING**



SECTION A-A

SPECIFICATIONS SUBJECT TO CHANGE WITHOUT NOTICE
DIMENSIONS ARE NOMINAL AND FOR REFERENCE ONLY

EO[®] **Edmund Optics**[®]

THIRD ANGLE PROJECTION		TITLE	EMPTY FILTER MOUNT - M25.5 X 0.5	
		ALL DIMS IN	mm	DWG NO
				SHEET 1 OF 1

	VALUE
RoHS	COMPLIANT