

NOTES:

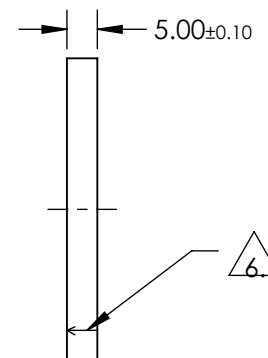
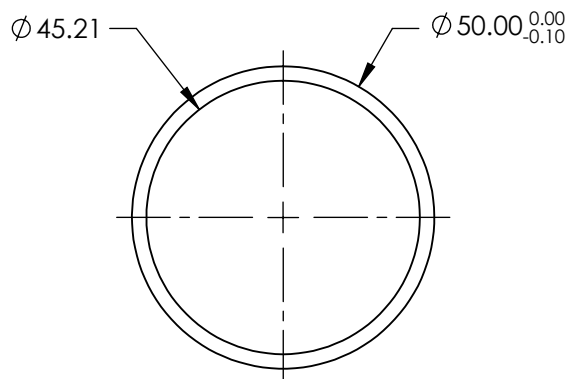
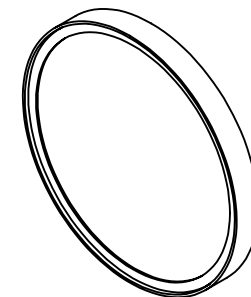
1. CONSTRUCTION: MOUNTED IN BLACK ANODIZED RING
2. COATING (APPLY ACROSS COATING APERTURE)

DURABILITY: MIL-C-48497A
 PERFORMANCE SPECIFICATIONS:
 CWL: 355nm
 FWHM: 17.8nm ± 1.8nm

R (ABS) > 99% @ 355±3.6nm
 T (ABS) < 0.01% @ 355±3.6nm
 T (AVG) > 90% FROM 325 - 344.2nm
 T (AVG) > 90% FROM 365.7 - 475nm

3. SURFACE QUALITY: 60-40
4. TRANSMITTED WAVEFRONT DISTORTION RMS @632.8nm: <1λ
5. ROHS COMPLIANT

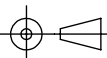
 ARROW ON PART POINTS TOWARDS COATED SURFACE



**FOR INFORMATION ONLY:
 DO NOT MANUFACTURE
 PARTS TO THIS DRAWING**

SPECIFICATIONS SUBJECT TO CHANGE WITHOUT NOTICE
 DIMENSIONS ARE FOR REFERENCE ONLY



 THIRD ANGLE PROJECTION		TITLE	OD4, Ø50mm, 355nm, NOTCH FILTER	
ALL DIMS IN	mm	DWG NO	67124	SHEET 1 OF 1