

NOTES:

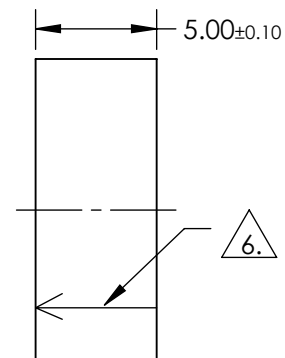
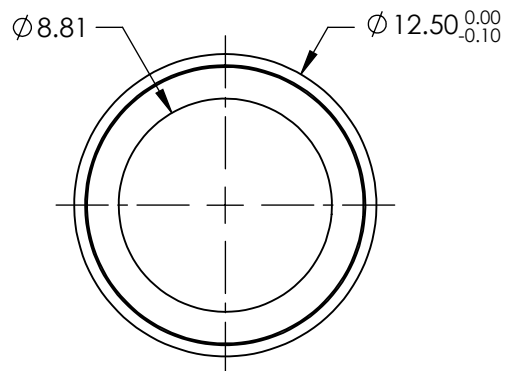
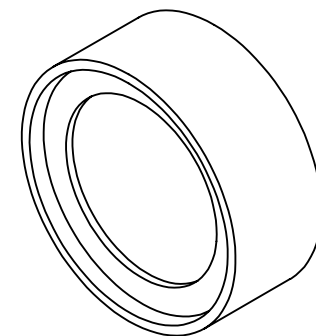
1. CONSTRUCTION: MOUNTED IN BLACK ANODIZED RING
2. COATING (APPLY ACROSS COATING APERTURE)

DURABILITY: MIL-C-48497A
 PERFORMANCE SPECIFICATIONS:
 CWL: 1064nm
 FWHM: 53.2nm ± 5.3nm

R (ABS) > 99% @ 1064±10.6nm
 T (ABS) < 0.01% @ 1064±10.6nm
 T (AVG) > 90% FROM 800 - 1032.1nm
 T (AVG) > 90% FROM 1095.9 - 1400nm

3. SURFACE QUALITY: 60-40
4. TRANSMITTED WAVEFRONT DISTORTION RMS @632.8nm: <1λ
5. ROHS COMPLIANT

△ 6. ARROW ON PART POINTS TOWARDS COATED SURFACE



**FOR INFORMATION ONLY:
 DO NOT MANUFACTURE
 PARTS TO THIS DRAWING**

SPECIFICATIONS SUBJECT TO CHANGE WITHOUT NOTICE
 DIMENSIONS ARE FOR REFERENCE ONLY



THIRD ANGLE PROJECTION		TITLE	OD4, Ø12.5mm, 1064nm, NOTCH FILTER	
ALL DIMS IN	mm	DWG NO	67114	SHEET 1 OF 1