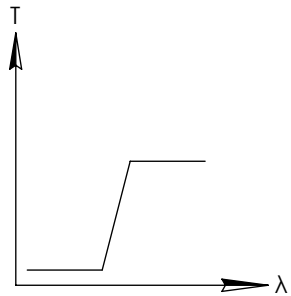
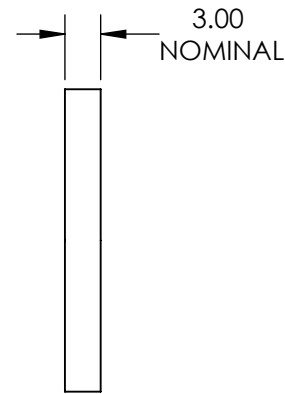
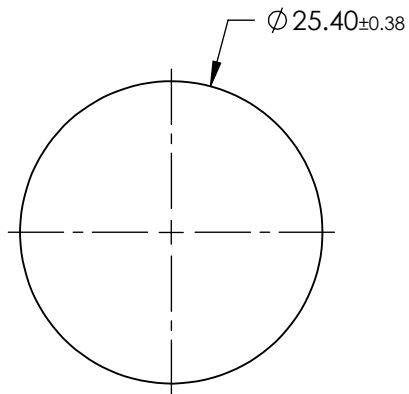
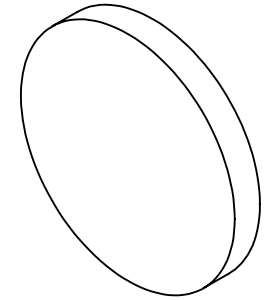


**FOR INFORMATION ONLY:
DO NOT MANUFACTURE
PARTS TO THIS DRAWING**



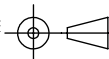
LONGPASS FILTER

SPECIFICATIONS SUBJECT TO CHANGE WITHOUT NOTICE
DIMENSIONS ARE FOR REFERENCE ONLY

REV. 001	S1	S2
SHAPE	PLANO	PLANO
SPECTRAL TRANSMITTANCE $t_{ip}(\%)$	94	94
PASSBAND LIMIT $1 \lambda_{p1}$ (nm)	720	720
CUT-OFF POSITION λ_c (nm)	645 ± 7	645 ± 7
STOPBAND LIMIT λ_s (nm)	560	560
WAVELENGTH	VIS	VIS
BEVEL	PROTECTIVE AS NEEDED	PROTECTIVE AS NEEDED



THIRD ANGLE
PROJECTION



TITLE

$\varnothing 25.4\text{mm}$, SCHOTT RG-645 LONGPASS FILTER

ALL DIMS IN

mm

DWG NO

64513

SHEET
1 OF 1