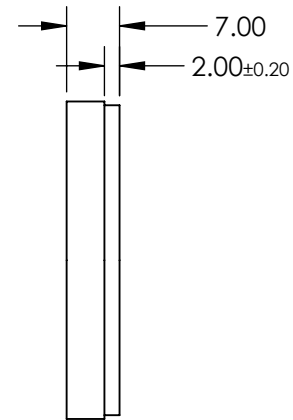
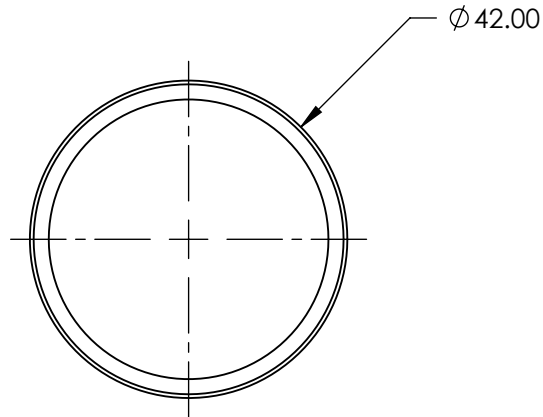
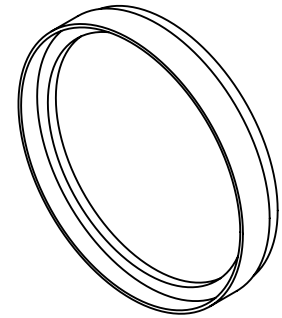
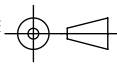


**FOR INFORMATION ONLY:
DO NOT MANUFACTURE
PARTS TO THIS DRAWING**



SPECIFICATIONS SUBJECT TO CHANGE WITHOUT NOTICE
DIMENSIONS ARE FOR REFERENCE ONLY

REV. A	VALUE
SHAPE	PLANO
CUT-ON WAVELENGTH	390
SURFACE FLATNESS	4 - 6λ
SURFACE QUALITY	80-50
CLEAR APERTURE	$\phi 37$

THIRD ANGLE PROJECTION 

ALL DIMS IN mm

 **Edmund Optics[®]**

TITLE	M40.5 X 0.5 MOUNTED, UV CUT-OFF FILTER
DWG NO	54725
SHEET 1 OF 1	