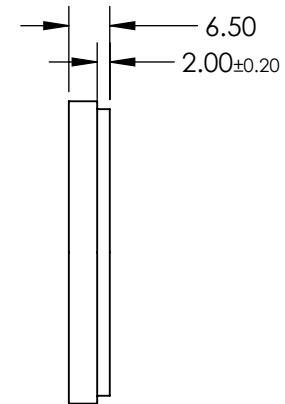
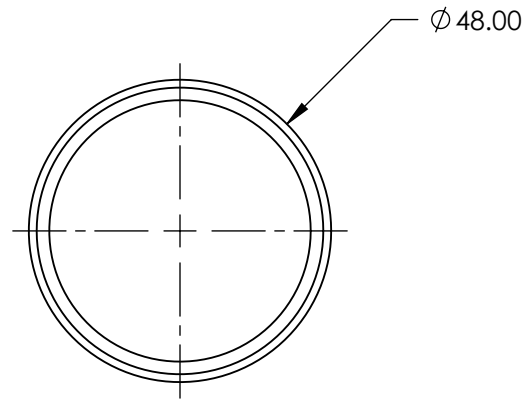
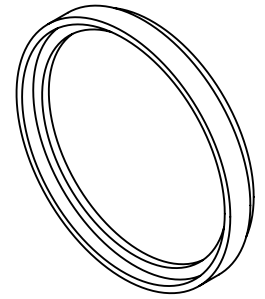


**FOR INFORMATION ONLY:
DO NOT MANUFACTURE
PARTS TO THIS DRAWING**



SPECIFICATIONS SUBJECT TO CHANGE WITHOUT NOTICE
DIMENSIONS ARE FOR REFERENCE ONLY

REV. A	VALUE
SHAPE	PLANO
CUT-ON WAVELENGTH	390
SURFACE FLATNESS	4 - 6λ
SURFACE QUALITY	80-50
CLEAR APERTURE	Ø41

THIRD ANGLE PROJECTION

ALL DIMS IN mm

Edmund Optics®

TITLE M46 X 0.75 MOUNTED, UV CUT-OFF FILTER

DWG NO 54041

SHEET 1 OF 1