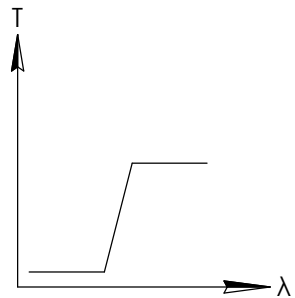
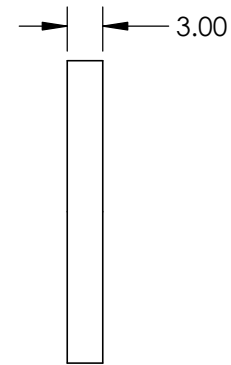
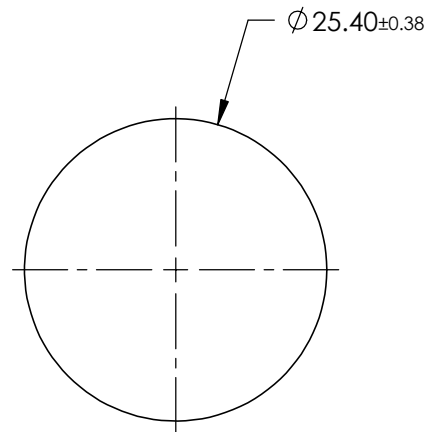
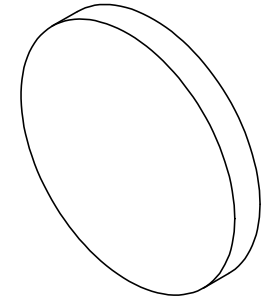


**FOR INFORMATION ONLY:  
DO NOT MANUFACTURE  
PARTS TO THIS DRAWING**



LONGPASS FILTER

SPECIFICATIONS SUBJECT TO CHANGE WITHOUT NOTICE  
DIMENSIONS ARE FOR REFERENCE ONLY

REV. A	VALUE
SHAPE	PLANO
SPECTRAL TRANSMITTANCE $t_{ip}(\%)$	94
PASSBAND LIMIT $\lambda_{p1}$ (nm)	690
CUT-OFF POSITION $\lambda_c$ (nm)	610±6
STOPBAND LIMIT $\lambda_s$ (nm)	530
WAVELENGTH	VIS
BEVEL	PROTECTIVE AS NEEDED



ALL DIMS IN

mm

TITLE

Ø25.4mm, RG-610 LONGPASS FILTER

DWG NO

46429

SHEET  
1 OF 1