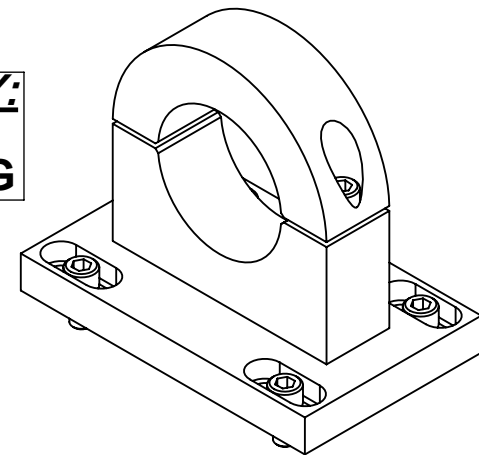
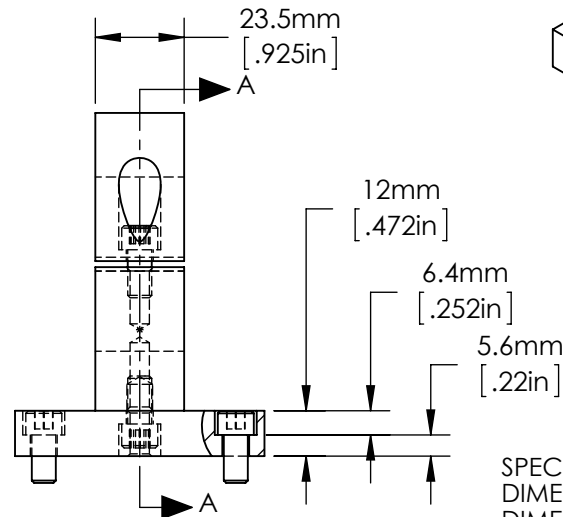
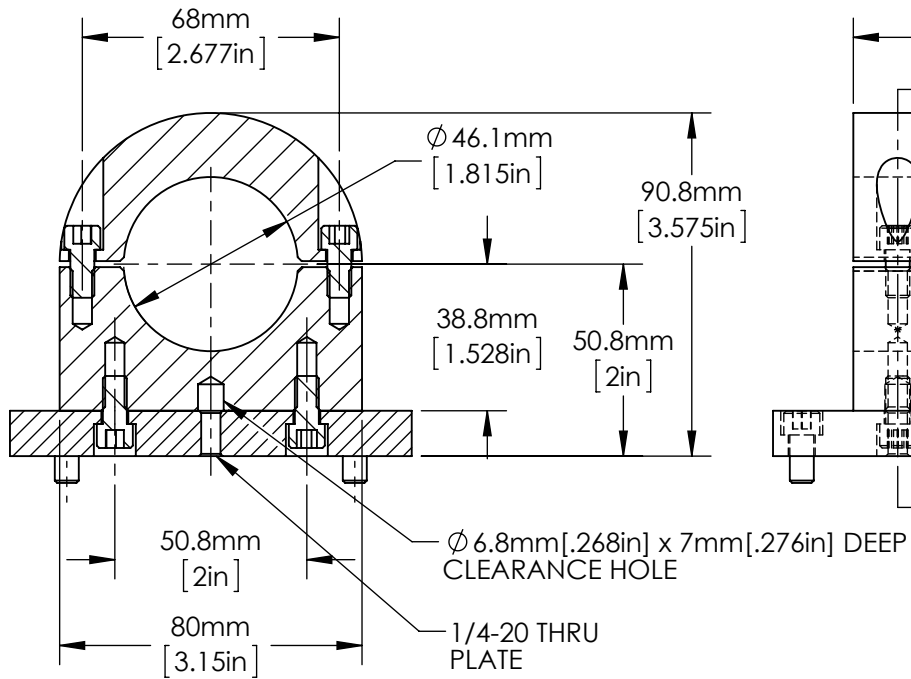


**FOR INFORMATION ONLY:
 DO NOT MANUFACTURE
 PARTS TO THIS DRAWING**



NOTES: UNLESS OTHERWISE SPECIFIED
 1. PACKAGE TO INCLUDE 8X SHCS
 1/4-20 x 1/2" LONG

SPECIFICATIONS SUBJECT TO CHANGE WITHOUT NOTICE
 DIMENSIONS ARE FOR REFERENCE ONLY
 DIMENSIONS ARE IN mm [INCHES]

 Edmund Optics®			
TITLE	Mounting Clamp for 2-8X Variable Beam Expander		
DWG NO	89295	MATERIAL	BLACK ANODIZED ALUMINUM
			SHEET 1 OF 1

Enable 3D View