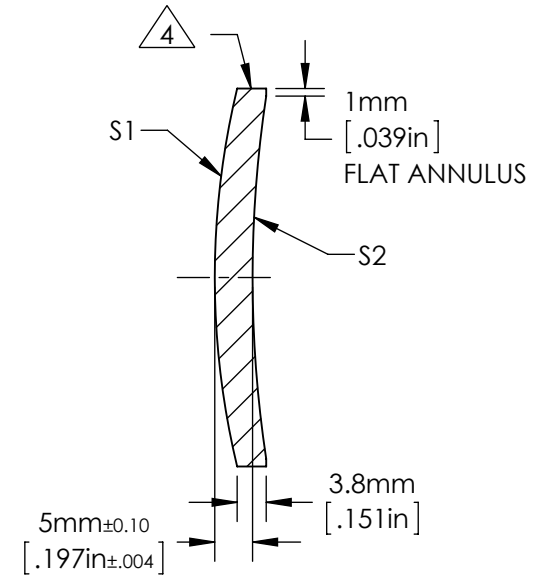
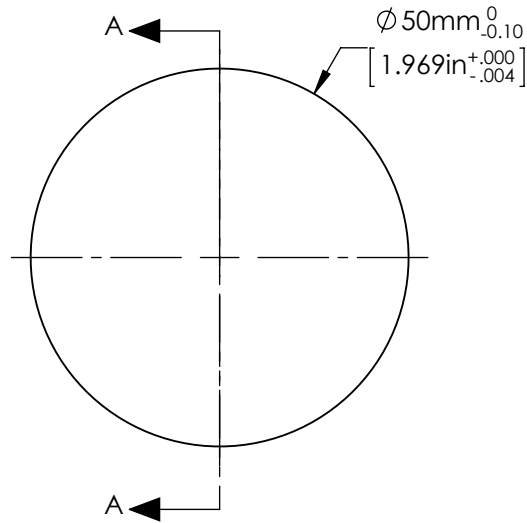


NOTES:


1. ALLOWABLE OPTICAL MATERIAL:
OPTICAL GRADE GERMANIUM
2. CENTERING TOLERANCE (AT 587.6nm):
BEAM DEVIATION: <3 ARCMINUTES
3. COATING (APPLY ACROSS COATING APERTURE)
S1: NONE
S2: NONE

4. EDGES DIAMOND TURNED



SECTION A-A

**FOR INFORMATION ONLY:
DO NOT MANUFACTURE PARTS TO THIS DRAWING**

	S1	S2			 Edmund Optics[®]	
SHAPE	CONVEX	CONCAVE	EFL (AT 10.6 μm)	(100.00)		
RADIUS	107.03	160.46	BFL (AT 10.6 μm)	(96.49)	DWG NO	87960
SURFACE QUALITY	60 - 40	60 - 40	ALL DIMS IN	mm		
CLEAR APERTURE	$\geq \phi 45.00$	$\geq \phi 45.00$				
BEVEL MAX FACE	0.3mm x 45°	0.3mm x 45°				