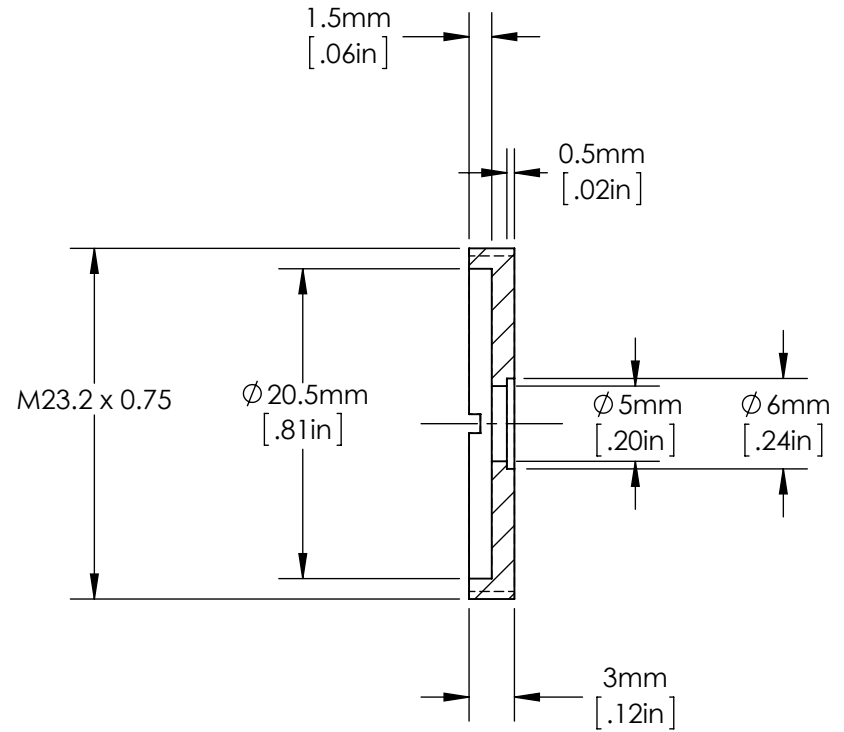
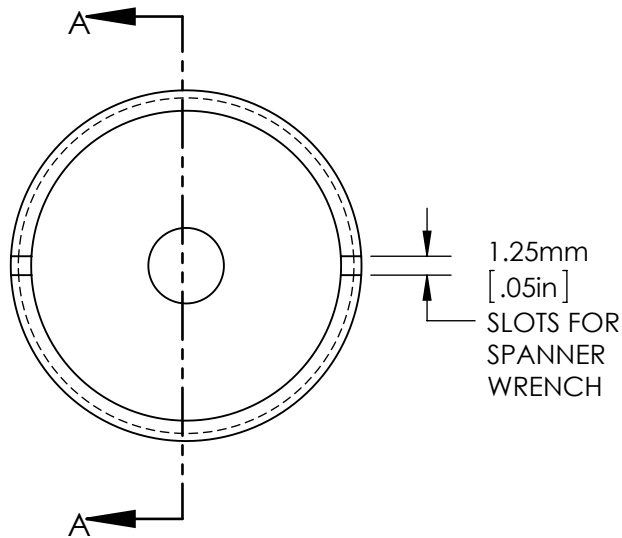
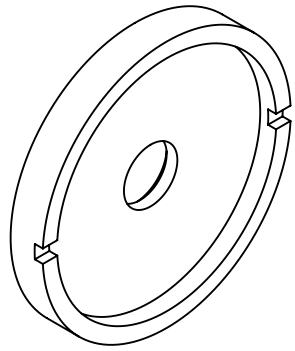


SPECIFICATIONS SUBJECT TO CHANGE WITHOUT NOTICE
 DIMENSIONS ARE FOR REFERENCE ONLY
 DIMENSIONS ARE IN mm [INCHES]



SECTION A-A

NOTES:

1. RETAINING RINGS SOLD IN PAIRS.



Edmund Optics®

TITLE	M23.2 Retaining Ring Pair for 6mm Diameter Optics				
DWG NO	85566	MATERIAL	BLACK ANODIZED ALUMINUM	SHEET 1 OF 1	REV 000