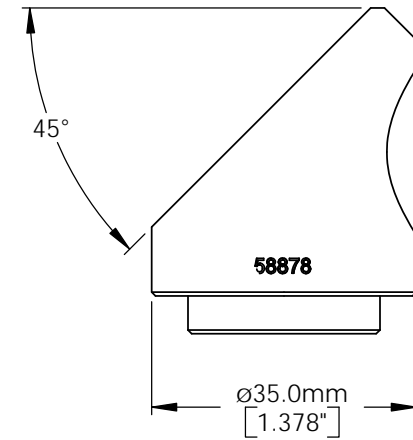
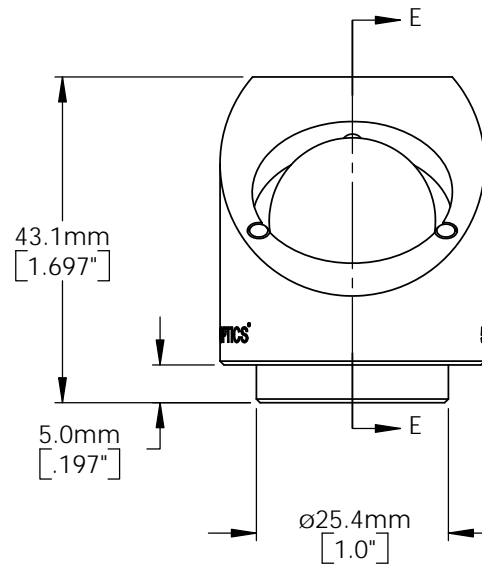


SECTION E-E



SPECIFICATIONS SUBJECT TO CHANGE WITHOUT NOTICE  
DIMENSIONS ARE FOR REFERENCE ONLY

 <b>Edmund Optics</b>			
TITLE	45° MIRROR KINEMATIC ADAPTER		
DWG NO	58878	REV	001